

GW13-40.5/72.5/126 Outdoor HV AC Disconnect Switch

Summary

GW13 series outdoor AC disconnect switch (hereinafter referred to as switch) is three-phase AC 50Hz high voltage switch equipment, is used in 40.5kV/72.5/126 kV power system. Used as switching transformer neutral point matching under the condition with voltage, no load. The product has features like good-looking appearance, compact structure and small floor space, several installation form, flexible operation, etc., is welcomed by the majority of users.



Ambient Condition

- 1 Altitude \leq 1000m;
- 2 Environmental air temperature: upper limit is +40°C , lower limit is -40°C ;
- 3 Wind pressure not exceeding 700Pa (wind speed =34m/s);
- 4 Earthquake intensity: not exceeding 8 degree;
- 5 Installation site: without fire risk, explosion hazard, heavy pollution, chemical corrosion and violent vibration.

Technical Parameters

Model	Rated Voltage (kV)	Rated Current (A)	Dynamic Current (Peak kA)	4s Thermal Stability Current (kV)
GW13-40.5 (W)	40.5	630	50	20
GW13-72.5 (W)	72.5	630	50	20
GW13-126 (W)	126	630	50	20

Main Structure

1 GW13 series is neutral point disconnect switch, single phase structure. It consists of foundation support, supporting insulator, current-carrying part, 80% of the parts are in common use for GW5 type switch.

1.1 Foundation Support

Consist of a cast iron base and two housings, two incomplete bevel gears meshing drive each other, make the switch to finish on-off action, set on-off positioning device on the bearing

seat. In order to apply the structure in running, design an install chassis under the base to make the switch of the main post insulator perpendicular to the ground.

1.2 Supporting insulator: conventional type and anti-pollution type.

1.3 Current-carrying part: consist of contact terminal, button contact holder, wire holder (the left wire holder is different from GW5)。

2 Operating Mechanism

Equip with CJ6 electric operating mechanism or CS17 hand-operating mechanism.

Transmission Model & Mounting Adjustment

1 Transmission Model

The switch is single phase, according to the different operating mechanisms is divided into two kinds of different transmission model.

1.1 Equip with CJ6 electric operating mechanism is the first transmission model.

1.2 Equip with CS17 hand-operating mechanism is the second transmission model.

2 Mounting Adjustment

2.1 Firstly, install the switch and chassis as one body, then install on the special foundation.

2.2 Use 11 4 "water gas pipeline as the vertical rod to connect the cardan joint on switch to universal joint on will switch connected to the mechanism.

2.2.1 The first transmission model (equip with CJ6), use 11 4 " water gas pipeline, the equipped cardan joint and friction disk as operation connecting rod.

2.2.2 The second transmission model (equip with CS17), weld 11 4 " water gas pipeline, twisting force contact and friction disk as operation connecting rod.

3 Debugging after Mounting

After finishing mounting adjustment, operate more than 20 times, according to the following check one by one:

3.1 If there is any loose parts.

3.2 If the opening and closing are at the right position.

3.3 If the operating mechanism is at the right position and be locked.

Instruction for Order

Please specify when order:

1 Product model (anti-pollution type is noted 'W'), rated voltage, rated current.

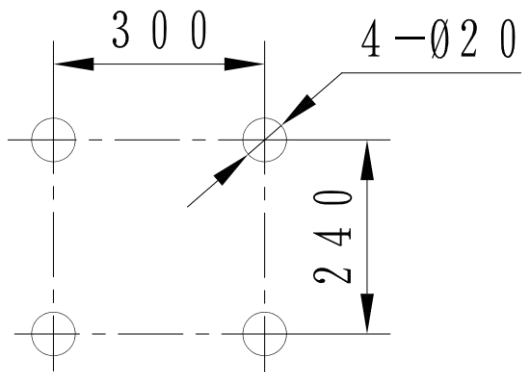
2 When equipped with electric operating mechanism, please specify the model and control voltage.

3 When equipped with hand-operating mechanism, please specify the model.

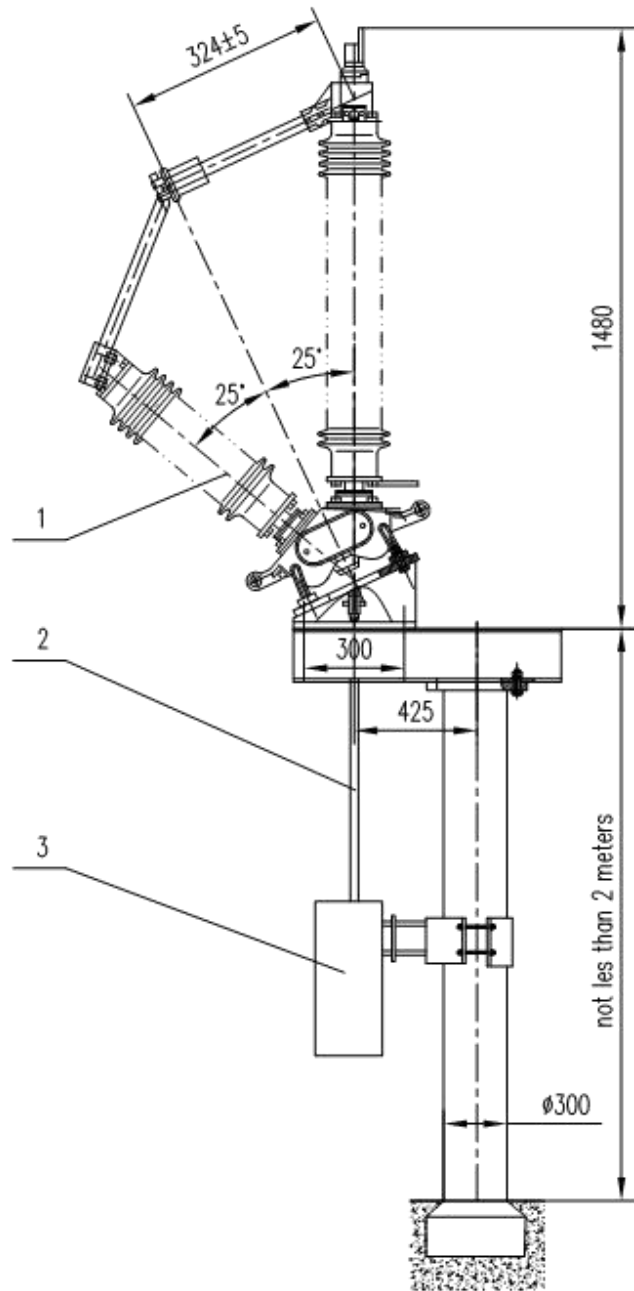
4 Whether equipped with electromagnetic lock and control voltage of electromagnetic lock.

5 Contact number of the auxiliary switch.

Outline Dimension



Mounting Dimensions of Chassis



Dimensions of GW13-72.5 Disconnector